

Planetary Mixers

Planetary Mixer, 10 lt. - Electronic with Hub

ITEM # _____

MODEL # _____

NAME # _____

SIS # _____

AIA # _____


600199 (XBE10BA)

10 lt Planetary Mixer, bowl detection device, electronic speed variation. Equipped with spiral hook, paddle, whisk and H type accessory hub. Equipped with highly resistant safety screen - BPA free

Short Form Specification

Item No.

Suitable for all kneading, blending and whipping operations. Body, feet and 10 litre capacity bowl in stainless steel. One piece alloy head holding the planetary mechanism and the drive. Water proof (IP55) and flat touch button control panel with 60 min. timer. Powerful asynchronous motor (750 W) with electronic speed variation adjusted by a potentiometer (10 speed levels from 26 to 180 rpm). Removable and dismantled solid safety screen activates the raising and lowering of the bowl. Removable and dismantled solid safety screen - made of a bisphenol-A free (BPA) copolyester. Bowl detection device allows the mixer to switch on only when the bowl and the safety screen are properly installed and positioned together. A safety device will automatically stop the machine when the bowl is lowered. Adjustable feet for stability. Equipped with accessory drive hub type H (accessories are not included).
 Supplied with 3 tools: spiral hook, paddle and whisk.

Main Features

- Professional beater mixer that provides all the basic mixer functions: kneading of all sort of pastes, mixing of semi-liquid products, emulsions and various sauces.
- Delivered with:
 - Spiral Hook, Paddle, Wire Whisk and Mixing Bowl for 10 lt
 - Accessory drive hub (accessories are not included)
- Electronic speed variator.
- Removable safety screen activates the raising and lowering of the bowl.
- Maximum capacity (flour, with 60% of hydration) 3.5 kg, suitable for 10-50 meals per service.
- Safety device will automatically stop the machine when the bowl is lowered.
- Bowl detection device allows the mixer to switch on only when the bowl and the solid safety screen are properly installed and positioned together.

Construction

- Compact design for table top installations.
- Body entirely in stainless steel.
- Sturdy construction with mechanically welded strong metal frame.
- AISI 302 stainless steel bowl - 10 lt. capacity.
- Asynchronous motor with high start-up torque.
- Planetary movement based on self lubricating gears, eliminating any risk of leaks.
- 10 speeds from 26 to 180 rpm (planetary movement), to adjust to the selected tool and mixture hardness.
- Water protected planetary system (IP55 electrical controls, IP34 overall machine).
- Power: 750 watts.
- Adjustable feet to perfect stability.

Included Accessories

- | | |
|--------------------------|------------|
| • 1 of Paddle 10 lt | PNC 653267 |
| • 1 of Spiral Hook 10 lt | PNC 653268 |
| • 1 of Whisk 10 lt | PNC 653269 |
| • 1 of Bowl 10 lt | PNC 653276 |

Optional Accessories

- | | | |
|---|------------|--------------------------|
| • Puree strainer for H hub supplied with 1 screw and 3 grids of 1.5, 3 and 6 mm | PNC 653187 | <input type="checkbox"/> |
| • Vegetable cutter, attachment type H, disconnectable drive, for planetary mixers | PNC 653225 | <input type="checkbox"/> |
| • Paddle 10 lt | PNC 653267 | <input type="checkbox"/> |
| • Spiral Hook 10 lt | PNC 653268 | <input type="checkbox"/> |
| • Whisk 10 lt | PNC 653269 | <input type="checkbox"/> |
| • Bowl 10 lt | PNC 653276 | <input type="checkbox"/> |
| • Aluminium external support for 70 mm meat mincer (includes tray and pusher) - H HUB - To be combined with a meat mincer kit | PNC 653720 | <input type="checkbox"/> |

APPROVAL: _____



Electrolux
PROFESSIONAL

Planetary Mixers Planetary Mixer, 10 lt. - Electronic with Hub

- Aluminium meat mincer kit 70 mm - PNC 653721
Enterprise cut, includes blade (3 discs, diam. 4.5 - 6 and 8 mm)
- Stainless steel meat mincer kit 70 mm PNC 653722
- Enterprise cut, includes blade (3 discs, diam. 4.5 - 6 and 8 mm)
- Stainless steel meat mincer kit 70 mm PNC 653723
- 1/2 Unger cut, includes blade (4 discs, diam. 0, 3 - 4.5 and 8 mm)

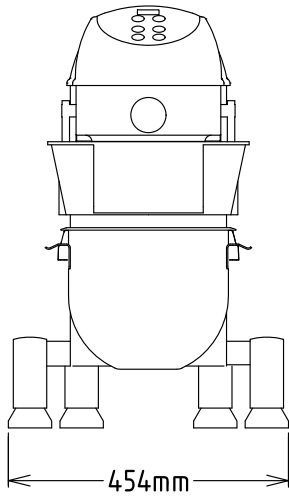


Planetary Mixers
Planetary Mixer, 10 lt. - Electronic with Hub

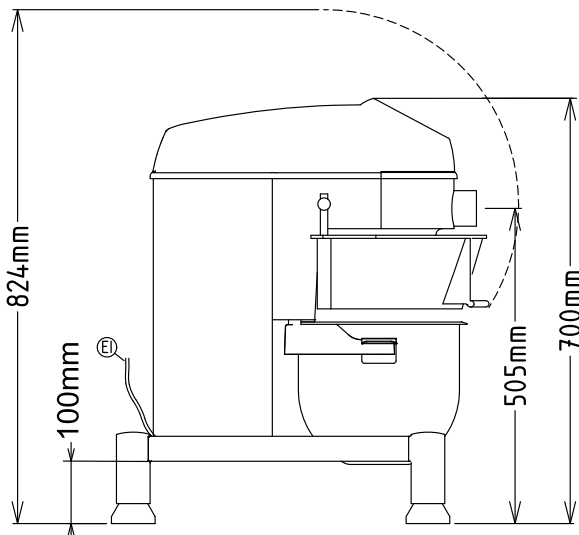
The company reserves the right to make modifications to the products without prior notice. All information correct at time of printing.

2023.06.21

Front

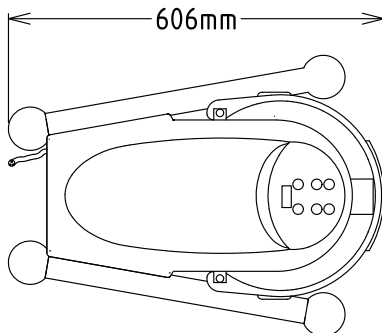


Side



EI = Electrical inlet (power)

Top



Electric

Supply voltage:

600199 (XBE10BA) 200-240 V/1N ph/50/60 Hz

Electrical power max.:

0.75 kW

Capacity:

Performance (up to):

3.5 kg\hr

Capacity:

10 litres

Key Information:

External dimensions, Width: 454 mm

External dimensions, Depth: 606 mm

External dimensions, Height: 700 mm

Shipping weight: 49 kg

Net weight (kg): 38

Cold water paste: 3.5 kg with Spiral hook

Egg whites: 18 with Whisk