



Electrolux
PROFESSIONAL

**Modular Cooking Range Line
700XP 4-Hot Square Plates
Electric Boiling Top Range**

ITEM # _____

MODEL # _____

NAME # _____

SIS # _____

AIA # _____



- 371017 (E7ECEH4Q00) 4-Hot Square Plate (2,6 kW each) electric Boiling Top
- 371130 (E7ECEH4Q0N) 4-Hot Square Plate (2,6 kW each) electric Boiling Top

Short Form Specification

Item No. _____

To be installed on open base installations, bridging supports or cantilever systems. Four 2.6 kW square cast-iron hot plates hermetically sealed to the one-piece top. Exterior panels in stainless steel with Scotch Brite finish. One piece pressed work top in 1.5 mm thick stainless steel. Right-angled side edges to allow flush-fitting junction between units.

Main Features

- Unit to be mounted on open base cupboards, bridging supports or cantilever systems.
- The four 2.6kW cast-iron square plates are hermetically sealed to the one-piece top.
- The special design of the control knob system guarantees against water infiltration.
- IPx4 water protection.
- Suitable for countertop installation.

Construction

- All exterior panels in Stainless Steel with Scotch Brite finishing.
- One piece pressed 1.5 mm work top in Stainless steel.
- Model has right-angled side edges to allow flush fitting joints between units, eliminating gaps and possible dirt traps.

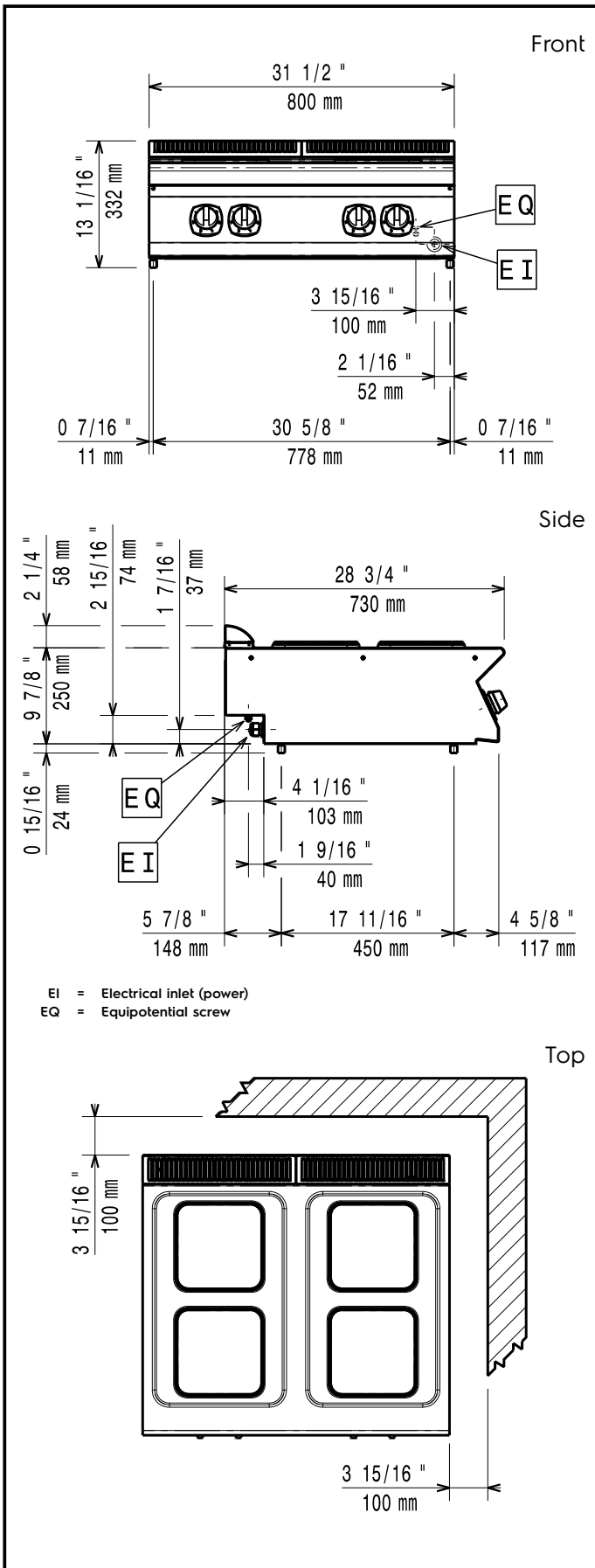
Optional Accessories

- Junction sealing kit PNC 206086
- Support for bridge type installation, 800mm PNC 206137
- Support for bridge type installation, 1000mm PNC 206138
- Support for bridge type installation, 1200mm PNC 206139
- Support for bridge type installation, 1400mm PNC 206140
- Support for bridge type installation, 1600mm PNC 206141
- 2 cast iron plate bars for electric cooking top PNC 206168
- Full size basket with holder for automatic programmable fryer (only for 371130) PNC 206196
- Water column with swivel arm (water column extension not included) PNC 206289
- Water column extension for 700 line PNC 206291
- Chimney upstand, 800mm PNC 206304
- Right and left side handrails PNC 206307
- Back handrail 800 mm PNC 206308
- Chimney grid net, 400mm (700XP/900) PNC 206400
- Frontal handrail, 800mm PNC 216047
- Frontal handrail, 1200mm PNC 216049
- Frontal handrail, 1600mm PNC 216050
- Large handrail - portioning shelf, 800mm PNC 216186
- 2 side covering panels for top appliances PNC 216277

APPROVAL: _____



Experience the Excellence
www.electroluxprofessional.com



Electric

Supply voltage:

371017 (E7ECEH4Q00)	380-400 V/3 ph/50/60 Hz
371130 (E7ECEH4Q0N)	230 V/3 ph/50/60 Hz

Total Watts:

10.4 kW

Predisposed for:

371017 (E7ECEH4Q00)	380-400V 3~ 50/60Hz
	9-10,4kW

Key Information:

Front Plates Power:	2.6 - 2.6 kW
Back Plates Power:	2.6 - 2.6 kW
Front Plates dimensions:	230x230 230x230
Back Plates dimensions:	230x230 230x230
External dimensions, Width:	800 mm
External dimensions, Depth:	730 mm
External dimensions, Height:	250 mm
Net weight:	40 kg

Shipping weight:

371017 (E7ECEH4Q00)	48 kg
371130 (E7ECEH4Q0N)	47 kg

Shipping height:

371017 (E7ECEH4Q00)	520 mm
371130 (E7ECEH4Q0N)	540 mm

Shipping width:

820 mm

Shipping depth:

860 mm

Shipping volume:

371017 (E7ECEH4Q00)	0.37 m ³
371130 (E7ECEH4Q0N)	0.38 m ³

If appliance is set up or next to or against temperature sensitive furniture or similar, a safety gap of approximately 150 mm should be maintained or some form of heat insulation fitted.

Certification group:

371017 (E7ECEH4Q00)	EH74T
371130 (E7ECEH4Q0N)	N7CEI